



**business
interiors
direct**

**Silence your space
Focus on the magical stuff**

CLEAN AIR

ACOUSTIC PODS



creating imaginative solutions...

...providing inspirational working environments

0114 229 3080

e sales@bi-direct.co.uk w bi-direct.co.uk



EXTENDABLE DESKTOP



PEACE IN A POD...

Our pods now come with new amazing features, offering the most advantageous combination of cost, quality and sustainability to improve satisfaction and work performance.

The pods pairs finely crafted aesthetics with sustainable materials to protect our mother earth. Its sound insulation effects have been tested by international certification organisation, reflecting BID's ingenuity and our endeavour in creating a workspace that improves productivity and privacy.

EXCELLENT AESTHETIC DESIGNS

Air Purifying System with HEPA Filter. The pod is well ventilated with filtered air to provide a comfortable and clean workspace to the user. **NEW**

Motion Sensor for Energy Saving. LED lighting and air ventilation system are activated by the motion sensor, and will be automatically turned off after 5 minutes of inactivity.

Ergonomic and Exclusive Charging Ports. CE certified charging ports with AC outlet, type A / type C 45W PD and CAT6 port. Input 110-240 VAC, 10A, 50-60Hz. **NEW**



Acoustic Material for Sound Insulation. The speech level reduction in the pod offers private and quiet environment, to be free from disturbances.

Auto Close Tempered Glass Door. The door can only be opened up to 95° to prevent collision against surroundings. **NEW**

Elegant Door Handle. Trendy and aesthetic designs making the pods an elegant component to the surroundings. **NEW**

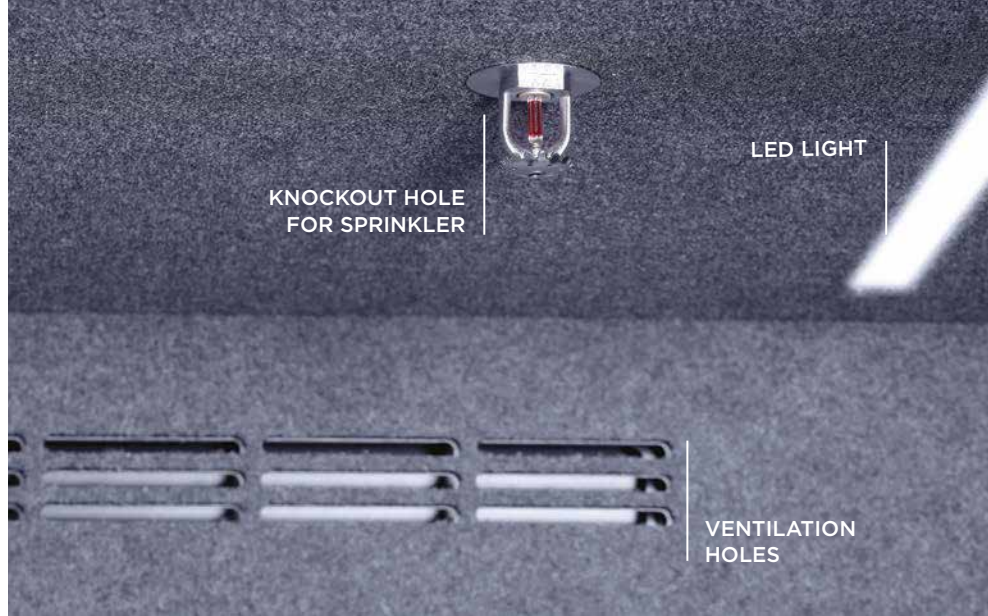
Knockout Hole for Sprinkler. Sprinkler head can be installed based on safety requirement.

Castors for The Ease of Mobility. An add-on feature for PODS. *Optional **NEW**

Quick And Easy To Assemble. Improved design which makes installation time possible within 30 minutes.



ELEGANT DOOR HANDLE



KNOCKOUT HOLE FOR SPRINKLER

LED LIGHT

VENTILATION HOLES



DIMMER

TYPE A / TYPE C

AC OUTLET



**ENERGY
EFFICIENT**



**DESIGNED
WITH
INGENUITY**







HIGH ACOUSTIC RATING

RECYCLABLE & SUSTAINABLE

Acoustic Material: Crafted To Perfection

Pods adopt 100 percent polyester, non-poisonous, harmless, non-irritant, and odourless acoustic material which offers excellent sound absorption. Most importantly, the acoustic materials are harmless to the environment because they can be recycled and reused.

The sound absorption alongside the quality, recyclability and reusability of the acoustic material have also been tested by the relevant testing boards. Our pods aim to put sustainability and societal impact at the heart of all its endeavours.



OEKO-TEX®
CONFIDENCE IN TEXTILES
STANDARD 100

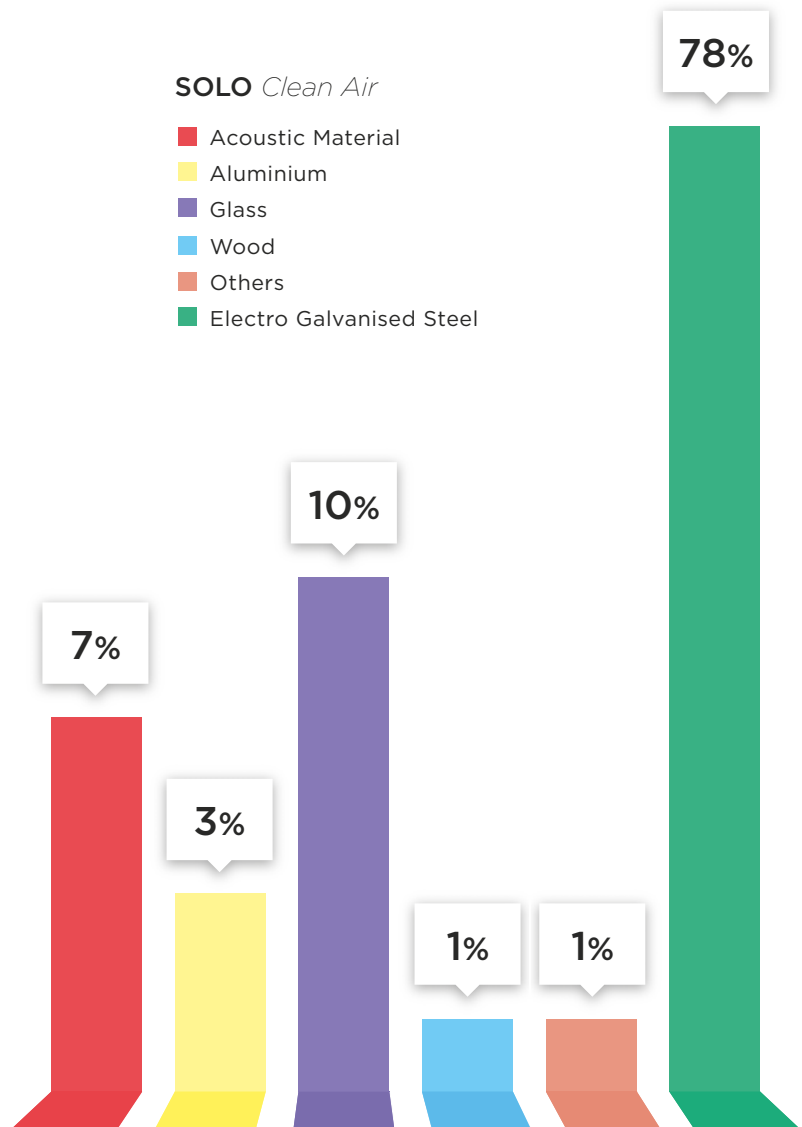


Prioritising “Green” Manufacturing Materials

We strive to create green, resilient and competitive products. Taking the manufacturing materials of SOLO *Clean Air* pod an example, galvanised steel makes up 78 percent of the materials used. This can reduce the environmental burden to the planet earth and is in line with the ideal of sustainable development.

SOLO *Clean Air*

- Acoustic Material
- Aluminium
- Glass
- Wood
- Others
- Electro Galvanised Steel



PEACE WITH SOUND INSULATION

We Care For Your Well-Being

In an environment with sound level is above 70 dB, you will soon find yourself difficult to remain focused and productive at work.

Clean Air pods have gone through rigorous test based on ISO23351-1 standards, with the speech level reduction at 28.3 dB. It creates a serene and relaxing environment that counters the stress and anxiety of our daily grinds. *Clean Air* pods not only provides more opportunities for creative collaboration, but also helps to maximise users' concentration and satisfaction, as well as enjoy the quiet moment.

Aside from sound insulation, *Clean Air* pods has achieved GREENGUARD Certification which is scientifically proven to meet some of the world's most rigorous third-party chemical emissions standards, helping to reduce indoor air pollution and the risk of chemical exposure. The certification can contribute to LEED credits as well.

Certified by



HIGH ACOUSTIC RATING

D_{s,A} - 28.3 dB

Based on ISO 23351-1 standard



**UL GREENGUARD
CERTIFIED**



**HIGHEST
QUALITY**





COMFORTABLE AND BREATHABLE



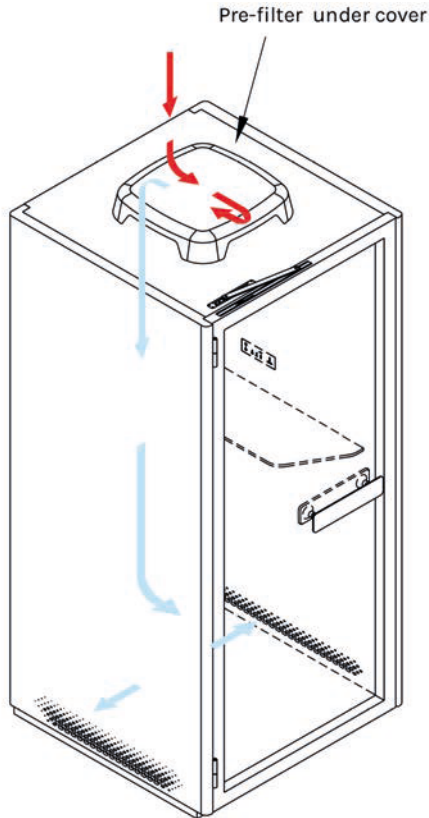
CLEAN AIR* PODS

Clean Air pods utilise a top-notch air ventilation and air purifying technology to provide consumers a pleasant breathing environment.

The air ventilation system enables a high enough air exchange rate within the pod to provide a comfortable and healthy working environment.

Additionally, the included HEPA filter captures airborne particles to cleanse entering air and enhance air quality. It inadvertently lessens allergic responses.

The filtered air was tested based on ISO 14644-1:2015 standard.



Model	Airflow (m ³ /h)	Air Change Per Hour (ACH)
SOLO	131	81
SOLO+	131	37
MEET	262	59
RELAX	393	43

*Air cleanliness by particle concentration

Clean Air PODS

Acoustic Pod has now emerged to become a popular office furnishing product in the global market. *Clean Air* pods offer a new experience for workspace. A Serene, comfortable and practical solution to improve work efficiency. Comes in four models to suit the needs of different users.



SOLO *Clean Air*

SOLO *Clean Air* is a classic pod for single person. In the serene space, an individual can carry out works that require high level of privacy such as signing contracts, making phone calls, and video conference.

* High stool not included.



SOLO+ *Clean Air*

SOLO+ *Clean Air* has a unique extendable desktop with multiple functions. This ergonomic feature allows you to adjust your working position, while providing a storage space. This spacious pod is suitable for individual who wants to work over a long period of time.



MEET *Clean Air*

MEET *Clean Air* POD can accommodate two to four persons.

The sofas come with comfortable backrest allow users to carry out discussions in a relaxed manner, most importantly free from disturbance. Aiming to achieve satisfaction and better results.



RELAX *Clean Air*

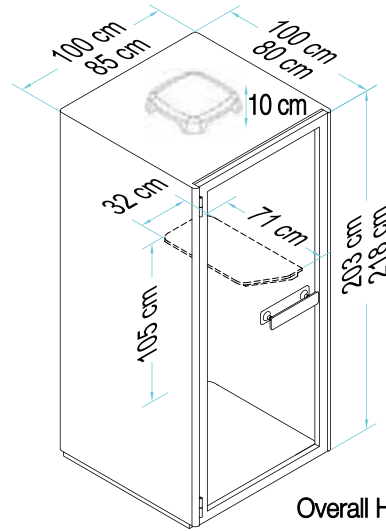
RELAX *Clean Air* POD is designed to fit up to five people, ideally for meeting, entertainment or relaxing.

Choice of L shaped sofa for a more casual setting or empty to create a more specific layout.

* Side table and TV not included



QUICK AND EASY TO ASSEMBLE



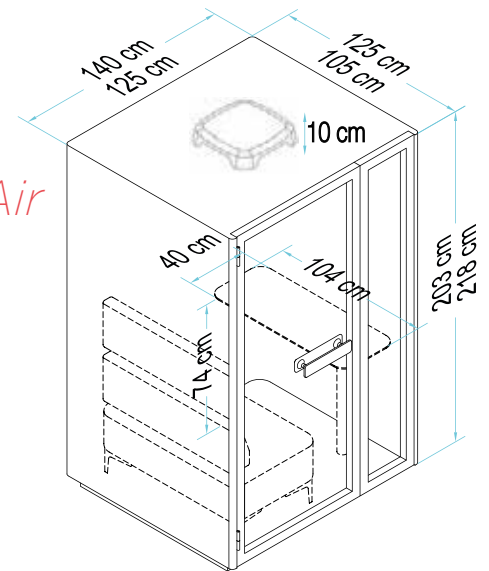
Overall Height: 228cm

SOLO *Clean Air*

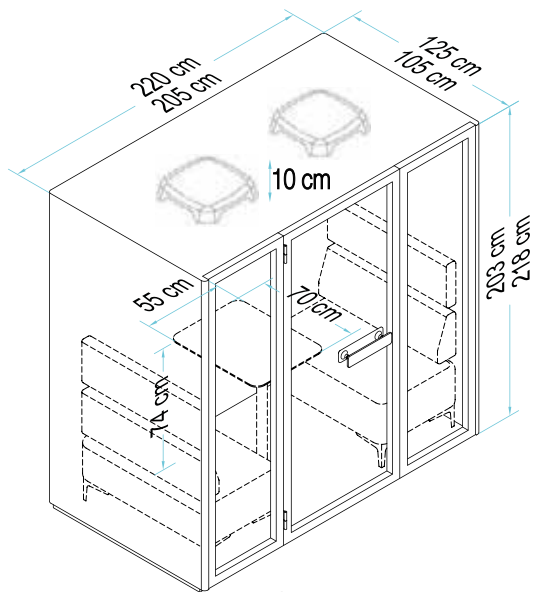
1. Laminated desktop
2. Castors *Optional
3. Power consumption: 0.18 A
4. Net weight: 278 kg

SOLO+ *Clean Air*

1. Extendable desktop with storage space
2. Exclusive design of sofa with backrest
3. Castors *Optional
4. Power consumption: 0.18 A
5. Net weight: 405 kg



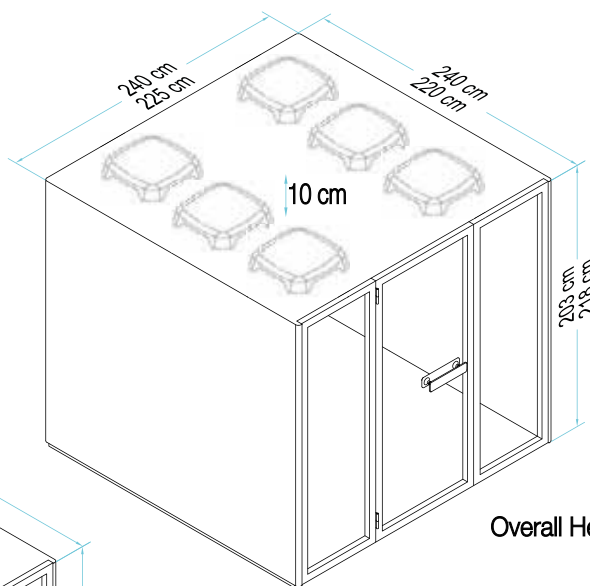
Overall Height: 228cm



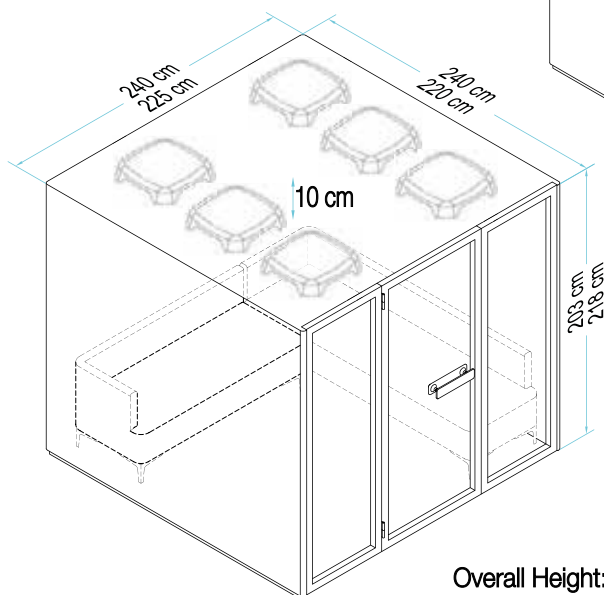
Overall Height: 228cm

MEET *Clean Air*

1. Laminated desktop
2. Exclusive design of sofa with backrest
3. Castors *Optional
4. Power consumption: 0.33 A
5. Net weight: 532 kg



Overall Height: 228cm



Overall Height: 228cm

RELAX *Clean Air*

1. Selections of furnishing:
 - Exclusive L-shaped sofa
2. TV bracket with AC power socket *Optional
3. Power consumption: 0.47 A
4. Net weight: 893 kg

EXTERIOR

COLOUR SELECTION



Space Grey

INTERIOR

ACOUSTIC SHEET COLOUR SELECTION



Light Grey



Charcoal Black

CARPET COLOUR SELECTION



Black



Grey Flex (Retreat ONLY)

SOFA

FABRIC COLOUR SELECTION



1006 Dark Grey



1007 Grey

*Display colours may slightly vary from the actual colours.






**business
interiors
direct**

creating imaginative solutions...


...providing inspirational working environments

SAY HELLO WE ARE HERE TO HELP

 0114 229 3080

 sales@bi-direct.co.uk

 www.bi-direct.co.uk

 Unit 4 Dore House Business Park, 19 Orgreave Place
Sheffield, South Yorkshire, S13 9LU