



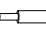




# i29 ASSEMBLY INSTRUCTIONS






\*Headrest assembly items and details are applicable if headrest has been purchased. Item may be supplied in a separate box.

Secure screws tightly or product damage may occur.

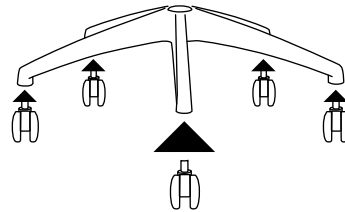
Visit [hoodseating.com](http://hoodseating.com) for assembly download



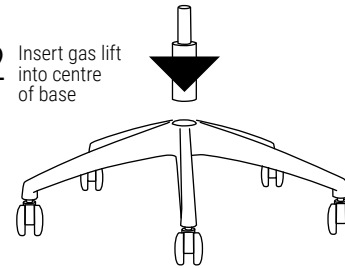
-  5 x CASTORS
-  1 x BASE
-  1 x GAS LIFT
-  1 x SEAT
-  1 x BACK
-  2 x ARMS
-  1 x HEAD-

- | QTY   |    | ITEM |         | SIZE |   |
|---|----|------|---------|------|---|
| SPARES  |    |      |         |      |   |
|  | A  | 3 x  | M8      | 20mm | 1 |
|  | B  | 2 x  | M8      | 32mm | 1 |
|  | C* | 2 x  | M6      | 12mm | 1 |
|  | D  | 5 x  | Washers |      |   |
|  | E  | 1 x  | Badge   |      |   |

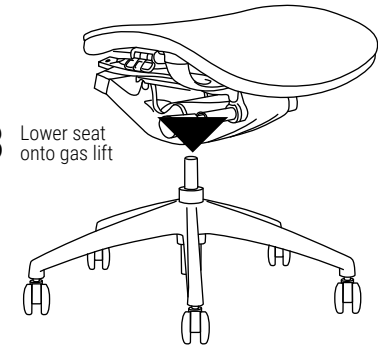
1 Insert castors into underside of base



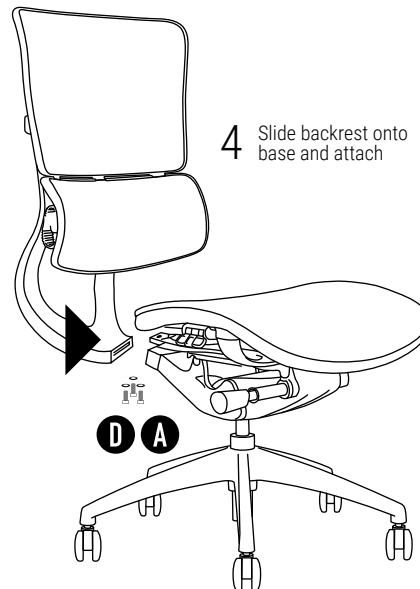
2 Insert gas lift into centre of base



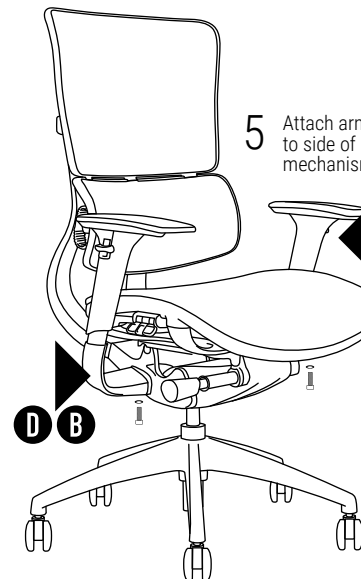
3 Lower seat onto gas lift



4 Slide backrest onto base and attach



5 Attach arms to side of mechanism



6 Attach headrest\* if applicable then apply badge

